

How To Order

Please place your order by emailing info@equipment4garages.com or calling 01727 875695.

Delivery is by Pallet Network, own transport or specialist vehicle with crane or forklift facility.

We will advise you of delivery charges when ordering.

An installation service is available upon request.



Parking Lifts 2018/19 (Price List is Separate)



About Equipment4garages

Equipment4garages supply garage equipment to motoring professionals, enthusiasts, home mechanics and motor clubs alike. Selecting only the best equipment, we've been supplying lifts, car storage lifts, tyre changers, wheel balancers, accessories and spares for over 43 years so we understand what works.

Our equipment is CE certified and comes with a 12 month warranty as standard plus 2 years hydraulics and 5 year steel for Amgo and Peak lifts. Our fully qualified technicians and support staff are on hand to help with installation, product queries and sales advice.

If you would like one of our other booklets or to discuss a product please contact info@equipment4garages.com



Finance Now Available



Equipment4garages are authorised and regulated by the Financial Conduct Authority.

Contents

<u>2 Post Parking Lifts</u>	Page
E4G 200 2 Post Tilting Lift - 2 Ton, 1ph/3ph	3 - 4
E4G 230H Single Cylinder 2 Post Parking Lift - 2.3 Ton, 1ph/3ph	5 - 6
E4G 270H Single Cylinder 2 Post Parking Lift - 2.7 Ton, 1ph/3ph	7 - 8
E4G 270 Twin Cylinder 2 Post Parking Lift 2.7 Ton, 1ph/3ph	9 - 10
<u>4 Post Parking Lifts</u>	
E4G 360 4 Post Parking Lift - 3.6 Ton, 1ph/3ph	11 - 12
E4G 435-EL 4 Post Parking/Service Lift - 3.5 Ton, 1ph/3ph	13 - 14
E4G 435-P 4 Post Parking/Service Lift - 3.5 Ton, 1ph/3ph	15 - 16
E4G 440-P 4 Post Parking/Service Lift - 4 Ton, 1ph/3ph	17 - 18
E4G 440-HP 4 Post Parking/Service lift - 4 Ton, 1ph/3ph	19 - 20
Parking Accessories For AMGO 4 Post Lifts	21 - 22

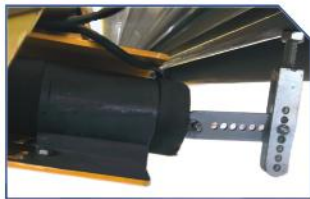
We reserve the right to amend the specifications and price of any products featured in this booklet at any time without prior notice. The colours of the products reproduced in this publication have been matched as closely as the printing process allows.

E4G 200 2 Post Tilting Lift - 2.0 Ton, 1ph/3ph

Special Order Only



Reinforced anti-fall hook.



Ultra strong electromagnet.



Laser cut parts ensures a stronger and more durable lift.

Specifications

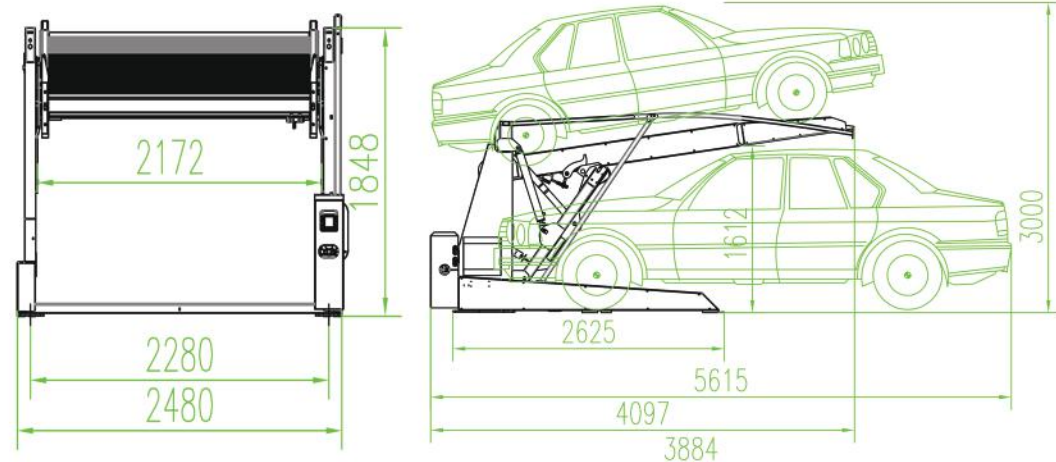


Model No. E4G 200

New to our range is the E4G 200, 2 post tilting parking lift with 2 ton capacity. It is ideal for residential or commercial use. This is great for when you need to park extra large cars underneath. Perfect for limited space.

Features

- 24V control system
- 2 Ton Capacity
- Compact design for extremely tight spaces
- Adjustable parking heights
- Emergency stop button
- Safety key switch controller
- Manual unlocking
- Limit switch
- Hydraulic overload protection
- Anti-skid ramp and platform
- Anti-rust smooth powder coating finish
- CE Approved



Lifting Capacity	Lifting Height	Lifting Time	Motor	Gross Weight
2T	1612-1850mm	40 Seconds	220-360V	1000kg

Overall Length (inc. ramps)	Overall Length (excl ramps)	Overall Width	Width Between Posts
3884mm	N/A	2480mm	2280mm

Motor	Phase	HP	Volts	Amps	Oil Tank
E4G 200	1	3	220	13.3 Amps	11L
E4G 200	3	3	360	5.5 Amps	11L

Always consult with a qualified electrician.

E4G 230H A/B 2 Post Parking Lift - 2.3 Ton, 1ph/3ph



⌚ = Unit A

⌚ = Unit B



Extendable bays use a middle post sharing feature using the E4G 230HB 1 post add on unit.



Reinforced anti fall locks.



24V control system with keylock.

Specifications



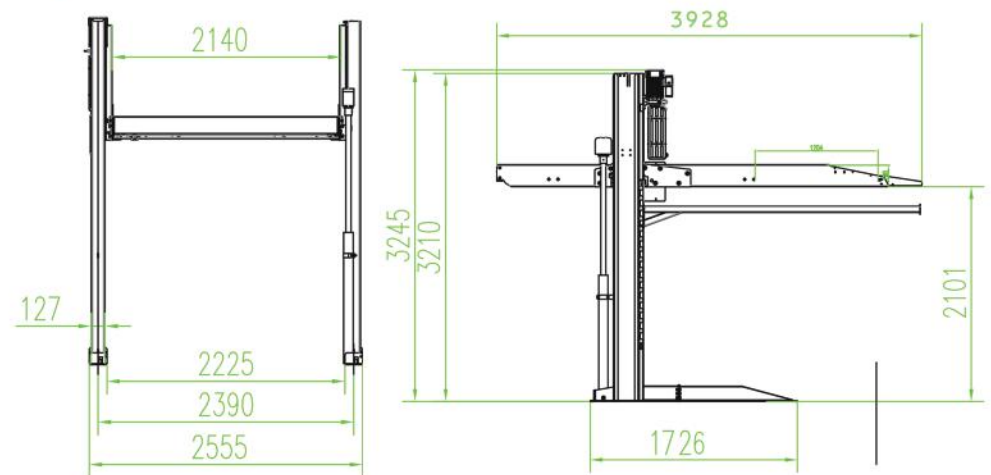
Model No. E4G 230H A/B

New to our range is the E4G 230H A/B 2 post parking lift with 2.3 ton capacity. It is ideal for residential or commercial use and designed for indoor use. Bays can be extended by using a middle post sharing feature. E4G 230HB is a 1 post add on unit.

Outdoor model is available as a special order.

Features

- 24V control system
- 2.3 Ton Capacity
- Single cylinder design
- Full range dynamic anti-fall locks
- Emergency stop button
- Safety key switch controller
- Limit switch
- Hydraulic overload protection
- Anti-skid ramp and platform
- Anti-rust smooth powder coating finish
- CE Approved



Lifting Capacity	Lifting Height	Lifting Time	Motor	Gross Weight
2.3T	2101mm	40 Seconds	220-360V	1000kg

Overall Length (inc. ramps)	Overall Length (excl ramps)	Overall Width	Width Between Posts
3928mm	N/A	2555mm	2225mm

Motor	Phase	HP	Volts	Amps	Oil Tank
E4G 230H A/B	1	3	220	13.3 Amps	11L

E4G 230H A/B	3	3	360	5.5 Amps	11L
--------------	---	---	-----	----------	-----

Always consult with a qualified electrician.

E4G 270H A/B 2 Post Parking Lift - 2.7 Ton, 1ph/3ph



⌚ = Unit A

⌚ = Unit B



Extendable bays use a middle post sharing feature using the E4G 270HB 1 post add on unit.



Reinforced anti fall locks.



24V control system with keylock.

Specifications



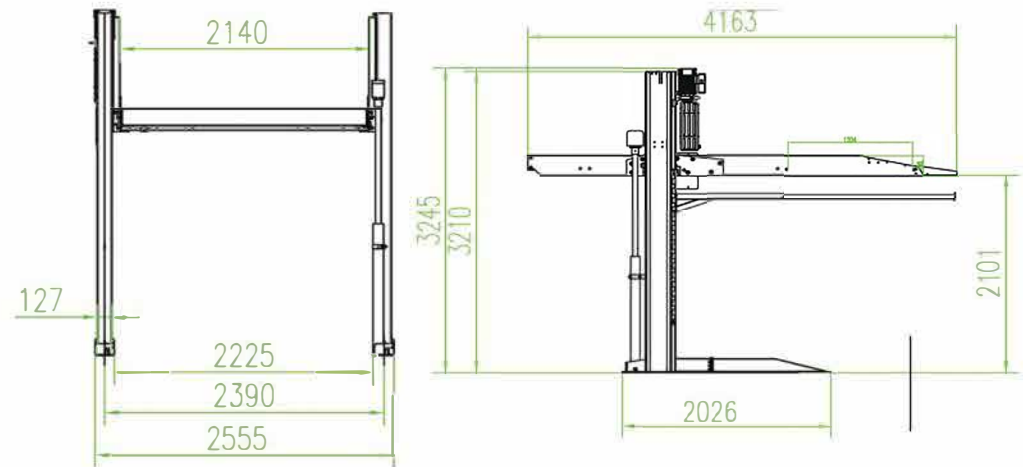
Model No. E4G 270H A/B

New to our range is the E4G 270H A/B 2 post parking lift with 2.7 ton capacity. It is ideal for residential or commercial use and designed for indoor use. Bays can be extended by using a middle post sharing feature. E4G 270HB is a 1 post add on unit.

Outdoor model is available as a special order.

Features

- 24V control system
- 2.7 Ton Capacity
- Single cylinder design
- Full range dynamic anti-fall locks
- Emergency stop button
- Safety key switch controller
- Limit switch
- Hydraulic overload protection
- Anti-skid ramp and platform
- Anti-rust smooth powder coating finish
- CE Approved



Lifting Capacity	Lifting Height	Lifting Time	Motor	Gross Weight
2.7T	2101 mm	45 Seconds	220-360V	1050kg

Overall Length (inc. ramps)	Overall Length (excl ramps)	Overall Width	Width between posts
4163mm	N/A	2555mm	2225mm

Motor	Phase	HP	Volts	Amps	Oil Tank
E4G 270H A/B	1	3	220	13.3 Amps	11L
E4G 270H A/B	3	3	360	5.5 Amps	11L

Always consult with a qualified electrician.

E4G 270 A/B 2 Post Parking Lift - 2.7 Ton, 1ph/3ph



⌚ = Unit A

⌚ = Unit B



Extendable bays use a middle post sharing feature using the E4G 270B 1 post add on unit.



Reinforced anti fall locks.



24V control system with keylock.

Specifications



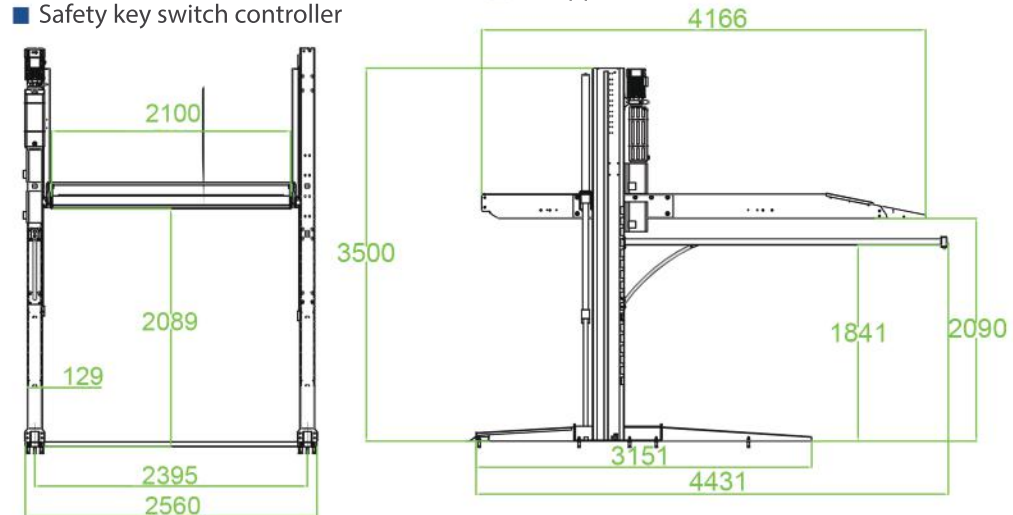
Model No. **E4G 270 A/B**

New to our range is the E4G 270 A/B 2 post parking lift with 2.7 ton capacity. It is ideal for residential or commercial use and designed for indoor use. Bays can be extended by using a middle post sharing feature. E4G 270B is a 1 post add on unit.

Outdoor model is available as a special order.

Features

- 24V control system
- 2.7 Ton Capacity
- Dual cylinder design
- Full range dynamic anti-fall locks
- Emergency stop button
- Safety key switch controller
- Limit switch
- Hydraulic overload protection
- Anti-skid ramp and platform
- Anti-rust smooth powder coating finish
- CE Approved



Lifting Capacity	Lifting Height	Lifting Time	Motor	Gross Weight
2.7T	2090mm	45 Seconds	220-360V	1100kg

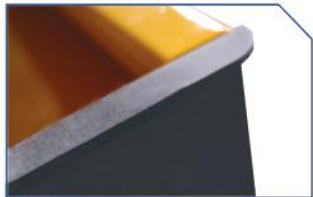
Overall Length (inc. ramps)	Overall Length (excl ramps)	Overall Width	Width Between Posts
4166mm	N/A	2560mm	2100mm

Motor	Phase	HP	Volts	Amps	Oil Tank
E4G 270 A/B	1	3	220	13.3 Amps	11L

E4G 270 A/B	3	3	450	5.5 Amps	11L
-------------	---	---	-----	----------	-----

Always consult with a qualified electrician.

E4G 360 4 Post Parking Lift - 3.6 Ton, 1ph/3ph



Powder coated finish which makes the lift more sustainable.



Reinforced anti-fall lock.



Laser cut parts ensures a stronger and more durable lift.

Specifications

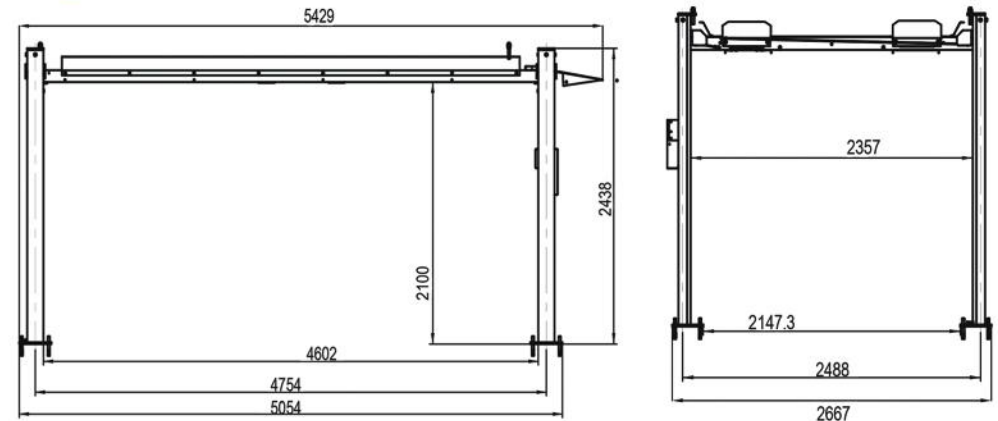


Model No. E4G 360

New to our range is the E4G 360 4 post parking lift with 3.6 ton capacity, making it suitable for most cars and 4 x 4's. It is ideal for residential or commercial use. It can be used inside or outside. With the key switch control it provides added security for your vehicles. **Outdoor model is available as a special order.**

Features

- 24V control system
- 3.6 Ton Capacity
- Optional tier protected side beam design to prevent running off the platform
- Full range dynamic anti-fall locks
- Emergency stop button
- Safety key switch controller
- Automated locking detection
- Hydraulic overload protection
- Anti-skid ramp and platform
- Anti-rust smooth powder coating finish
- CE Approved



Lifting Capacity	Lifting Height	Lifting Time	Motor	Gross Weight
3.6T	2438mm	40 Seconds	220-360V	900kg

Overall Length (inc. ramps)	Overall Length (excl ramps)	Overall Width	Width between posts
5429mm	5054mm	2667mm	2357mm

Motor	Phase	HP	Volts	Amps	Oil Tank
E4G 360	1	3	220	13.3 Amps	14L
E4G 360	3	3	360	7.5 Amps	14L

Always consult with a qualified electrician.

E4G 435-EL 4 Post Parking/Service Lift - 3.5 Ton, 1ph

Specifications



Model No. E4G 435-EL

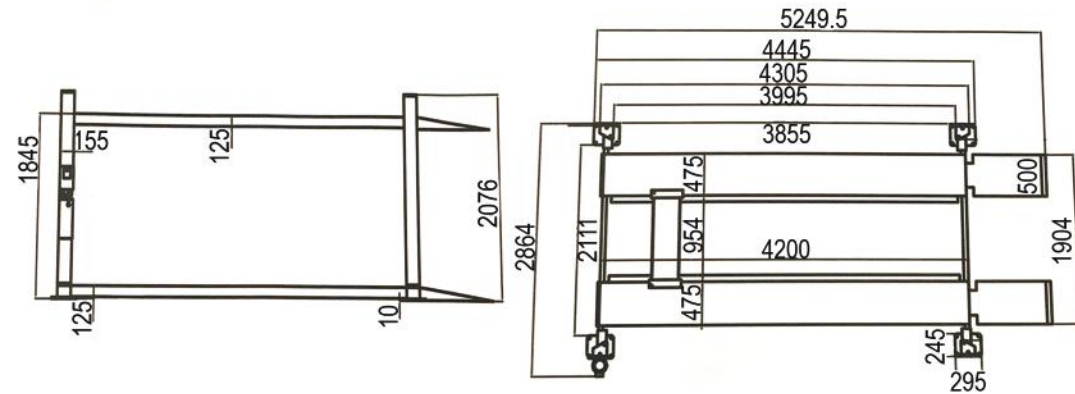
Our brand new 4 post parking lift E4G 435-EL. With a 3.5 ton capacity, this is ideal for the storage of small and large vehicles. This is suitable for small garages and limited space.

Features

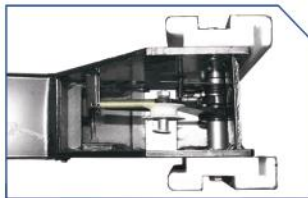
- 24V control system
- 3.5 Ton Capacity
- Powder coated finish
- Lock ladder design
- Reinforced runways
- Single point electric lock release
- Double lock safety system
- Wheel stops included
- Optional jacking beam, which slides between platforms
- Optional drip trays, caster kit and jack tray
- 2 year steel, 1 year hydraulic warranty
- CE Approved



**Electric Release
Arriving - June 2018**



High-grade reinforced steel.



Advanced locking system, with (UHMW) polyethylene self lubricating sliders.



The baseplate is reinforced, this is also adapted for the two locking systems.

Lifting Capacity	Lifting Height	Lifting Time	Motor	Gross Weight
3.5T	1845mm	50 Seconds	110V	789kg

Overall Length (inc. ramps)	Overall Length (excl ramps)	Overall Width	Width between posts
5249.5mm	4445mm	2864mm	2111mm

Motor	Phase	HP	Volts	Amps	Oil Tank
E4G 435-EL	1	4	220	18 Amps	11L

Always consult with a qualified electrician.

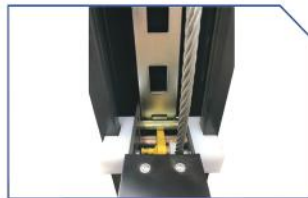
Amgo 435-P 4 Post Parking/Service Lift - 3.5 Ton 1ph/3ph



24V Control System with up + down buttons and lowering alarm button.



Single point manual release and lower limit switch.



Exclusive commercial double safety locks.

Specifications

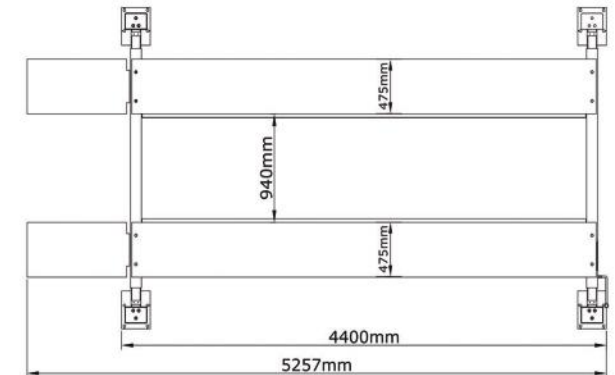
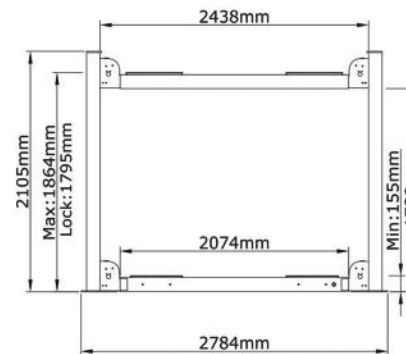


Model No. E4G 435-P

Commercial grade 4 post Parking/Service lift. With a 3.5 ton capacity ideal for storage and general servicing. Designed for the professional, car enthusiast and for the private and commercial storage of vehicles. See 'Youtube' Videos.

Features

- 24V control system
- The power unit available in 1ph/3ph can be installed on any post
- Ladder locks on all 4 posts
- Locks at 50cm and then every 10cm after that to 1720mm
- Variable height limit switch and lowering limit switch with warning "buzzer"
- One adjustable platform (just unbolt to slide) for narrow vehicles
- Skid proof diamond platform
- Detachable ramps which can be stored between the platforms
- Easily made portable using the optional caster kit
- Optional Peak J5H jacking beam, which slides between the platforms
- Optional drip trays, aluminium ramps, caster kit, motor bracket and jack tray
- Motor adds 250mm to the side (can be reduced with motor bracket)
- CE Approved



Lifting Capacity	Lifting Height	Lifting Time	Motor	Gross Weight
3.5T	1864mm	40 Seconds	3.0hp	820kg

Overall Length (inc. ramps)	Overall Length (excl ramps)	Overall Width	Width between posts
5257mm	4400mm	2784mm	2438mm

Motor	Phase	HP	Volts	Amps	Oil Tank
E4G 81523019	1	3	220	12 Amps	6L
E4G 81523020	3	3	380	12 Amps	6L

Always consult with a qualified electrician.

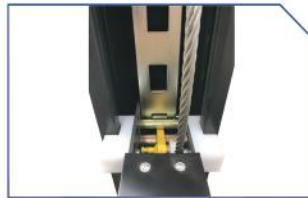
Amgo 440-P 4 Post Parking/Service Lift - 4 Ton, 1 ph/3ph



24V Control System with up + down buttons and lowering alarm button.



Single point manual release and lower limit switch.



Exclusive commercial double safety locks.

Specifications



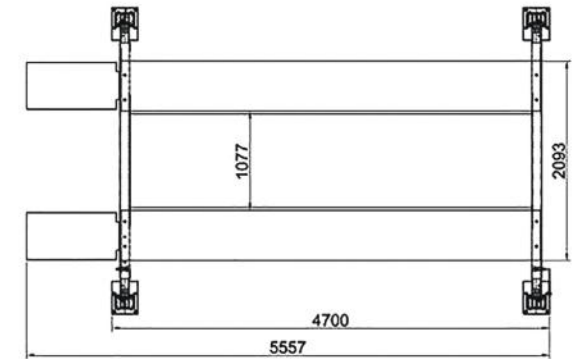
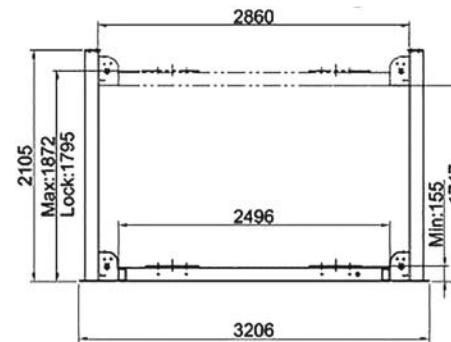
Model No. E4G 440-P

This is the mid-point in our range of commercial grade 4 post Parking/Service lift. With a 4 ton capacity ideal for storage and general servicing. Designed for the professional, car enthusiast and for the private and commercial storage of vehicles.

See 'Youtube' Videos.

Features

- 24V control system
- The power unit available in 1ph/3ph can be installed on any post
- Ladder locks on all 4 posts
- Locks at 50cm and then every 10cm after that to 1720mm
- Variable height limit switch and lowering limit switch with warning "buzzer"
- One adjustable platform (just unbolt to slide) for narrow vehicles
- Skid proof diamond platform
- Detachable ramps which can be stored between the platforms
- Easily made portable using the optional caster kit
- Optional Peak J5H jacking beam, which slides between the platforms
- Optional drip trays, aluminium ramps, caster kit, motor bracket and jack tray
- Motor adds 250mm to the side (can be reduced with motor bracket)
- CE Approved



Lifting Capacity	Lifting Height	Lifting Time	Motor	Gross Weight
4T	1872mm	47 Seconds	3.0hp	966kg

Overall Length (inc. ramps)	Overall Length (excl ramps)	Overall Width	Width between posts
5557mm	4700mm	3206mm	2860mm

Motor	Phase	HP	Volts	Amps	Oil Tank
E4G 81523001	1	4	220	18 Amps	11L
E4G 81523002	3	3	380	5 Amps	11L

Always consult with a qualified electrician.

Amgo 440-HP 4 Post Parking/Service Lift - 4 Ton, 1ph/3ph

Specifications

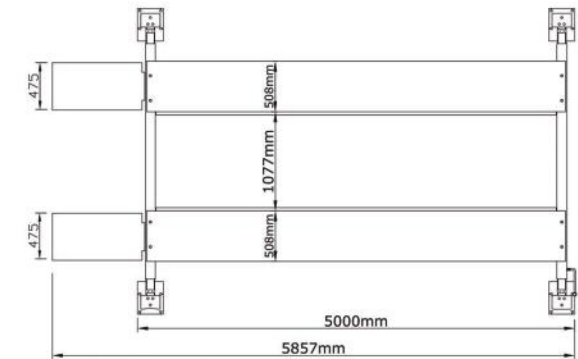
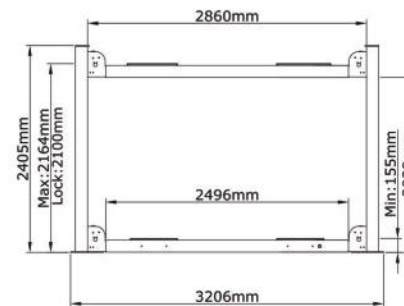


Model No. E4G 440-HP

The largest of our commercial grade 4 post Parking/Service lift. With a 4 ton capacity ideal for storage and general servicing. Designed for the professional, car enthusiast and for the private and commercial storage of vehicles. See 'Youtube' Videos.

Features

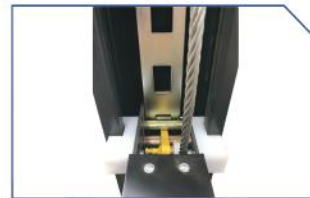
- 24V control system
- The power unit available in 1ph/3ph can be installed on any post
- Ladder locks on all 4 posts
- Locks at 50cm and then every 10cm after that to 2164mm
- Variable height limit switch and lowering limit switch with warning "buzzer"
- One adjustable platform (just unbolt to slide) for narrow vehicles
- Skid proof diamond platform
- Detachable ramps which can be stored between the platforms
- Easily made portable using the optional caster kit
- Optional Peak J5H jacking beam, which slides between the platforms
- Optional drip trays, aluminium ramps, caster kit, motor bracket and jack tray
- Motor adds 250mm to the side (can be reduced with motor bracket)
- CE Approved



24V Control System with up + down buttons and lowering alarm button.



Single point manual release and lower limit switch.



Exclusive commercial double safety locks.

Lifting Capacity	Lifting Height	Lifting Time	Motor	Gross Weight
4T	2164mm	54 Seconds	3.0hp	992kg

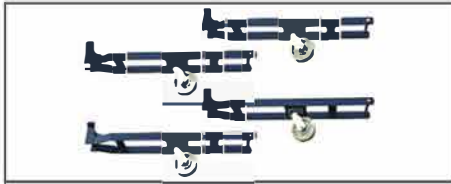
Overall Length (inc. ramps)	Overall Length (excl ramps)	Overall Width	Width between posts
5857mm	5000mm	3206mm	2860mm

Motor	Phase	HP	Volts	Amps	Oil Tank
E4G 81523001	1	4	220	18 Amps	11L
E4G 81523002	3	3	380	5 Amps	11L

Always consult with a qualified electrician.

Parking Lift Accessories For Amgo Lifts

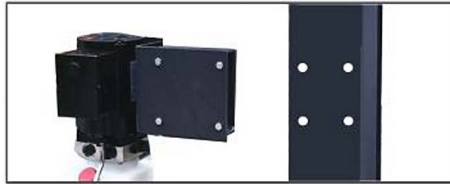
AMGO Caster Kit



Product code

E4G 40801

AMGO Motor Side Fixing Bracket



* Reduces overall width

Product code

E4G 40802

AMGO Aluminum Ramps



Product code

E4G 40803

AMGO Drip Trays

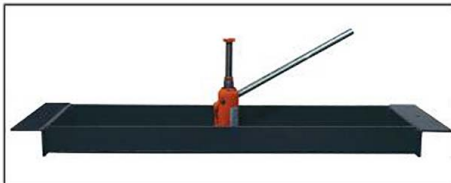


Product code

E4G 41003 x4 (S) For 435-P

E4G 41005 x4 (L) For 440-P + 440-HP

AMGO Jack Trays



Product code

E4G 410040 (S) For 435-P

E4G 410062 (L) For 440-P + 440-HP

* Jack not included

AMGO Jacking Beam



Product code

E4G J5H 2.2 Ton (Manual Operated)

E4G J6A 2.8 Ton (Air Operated)

How To Order

Please place your order by
emalling: Info@equipment4garages.com
or
calling 01727 875 695

An installation service is available upon request.

Finance Available

Equipment4garages are authorised and
regulated by the Financial Conduct Authority.

© 2018 Equipment4garages.com Ltd, registered in England No. 07314446. Drawings, photographs, code numbers, layout and style are considered property of Equipment4garages.com Ltd. Reproduction in whole or part is strictly prohibited without written permission. In so far as the law permits Equipment4garages.com Ltd shall not be liable for any consequential loss or damages however arising. Measurements are approximate, open to change. Some images may show products, vehicles and accessories that are not included. Trademarks acknowledged. Stock may be withdrawn without notice. All products are subject to availability. E & OE.
Registered Office: Smug Oak Stables, Smug Oak Lane, Bricket Wood, Saint Albans, AL2 3PN